

whiterowesblinds

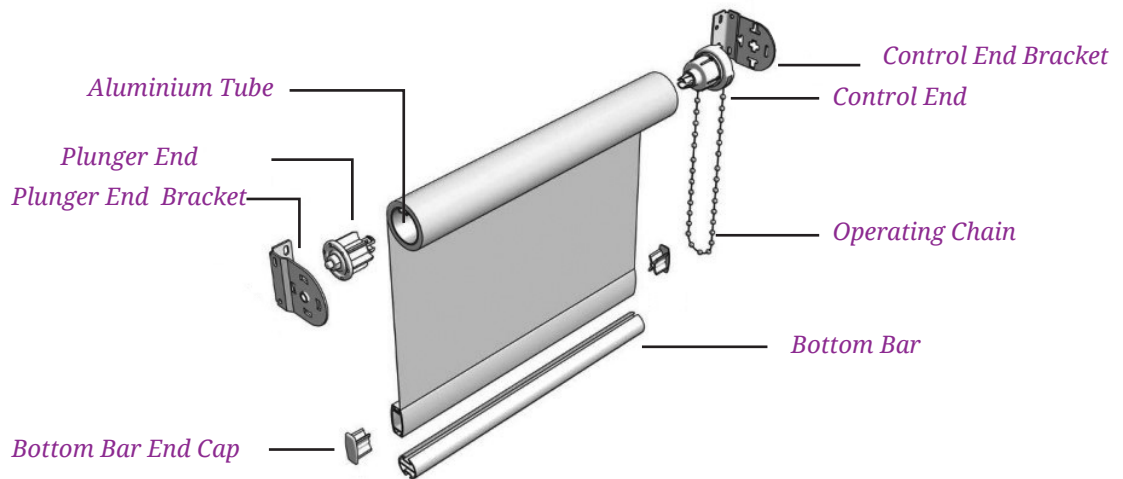
quality blinds at quality prices



FITTING INSTRUCTIONS

- ROLLER BLINDS - EASY TO INSTALL

SIDE CHAIN OPERATION (LEFT OR RIGHT POSITIONING)



Fitting The Brackets

The bracket positions illustrated are for a blind with the control on the right hand side of the blind. For a blind with the control on the left, the brackets should be at opposite ends. Brackets can be top, side or face fixed to any flat surface. They must be level to ensure the smooth operation of the blind. Check that the rolled up fabric will not touch any surface. To calculate the spacing between the brackets, add 35mm (1 $\frac{3}{8}$ "") to the width of the blind fabric. Fix the brackets so that the outsides of the brackets are this distance apart.

Fitting The Blind

Make sure that the blind fabric is completely rolled onto the roller. Hold the blind to the brackets. Fit the spring plunger into its bracket and push the blind into the bracket, depressing the plunger. With the locating hook pointing downwards and the chain guard lug at the top, place the hook into the vertical part of the '+' shaped hole in the bracket. Allow the hook to drop downwards so that it locks into place in the bracket.

Operating Your Blind

Side Control Chain: To raise or lower the blind pull the side chain appropriately.

Make It Safe

An appropriate safety device has been included with your blinds. Please make sure this device is installed according to these instructions



Child Safety Device

Insert the chain, pull down the device so the chain is taut, mark and drill a hole and screw to the wall.